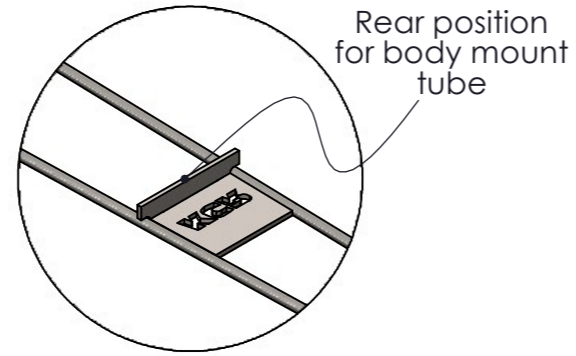
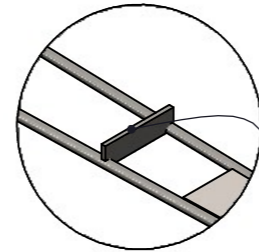


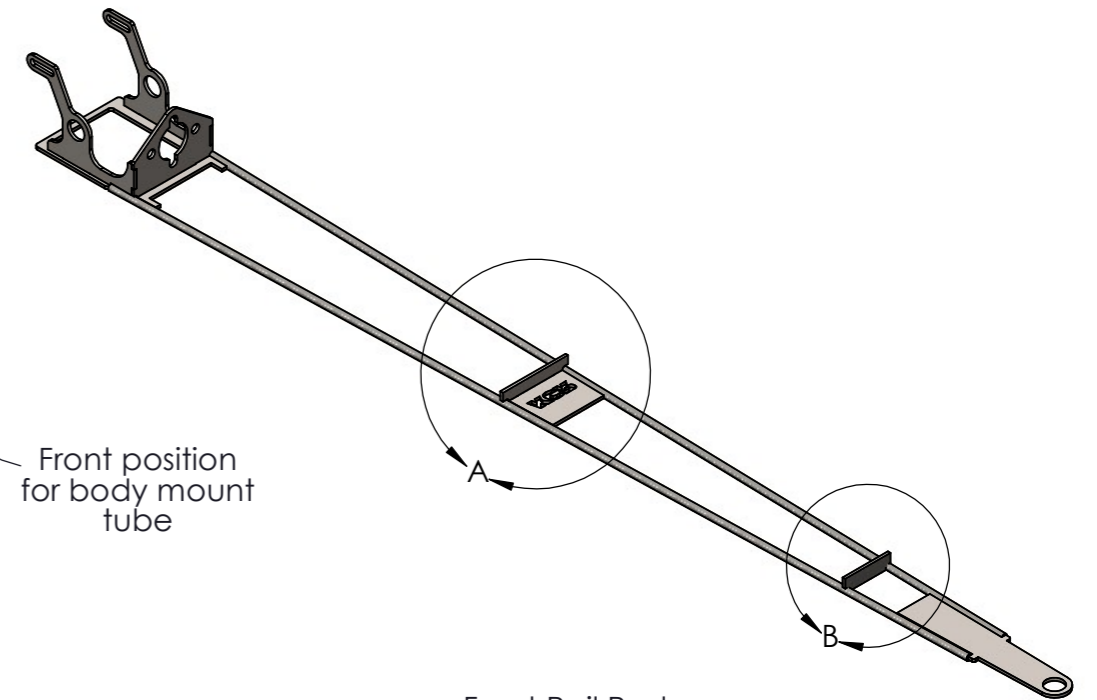
Rear Rail Rod Assembly Stop



DETAIL A  
SCALE 1 : 1

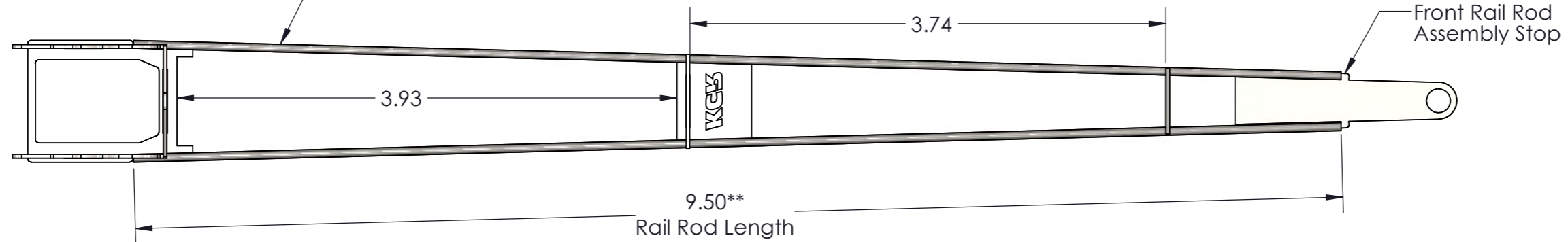


DETAIL B  
SCALE 1 : 1



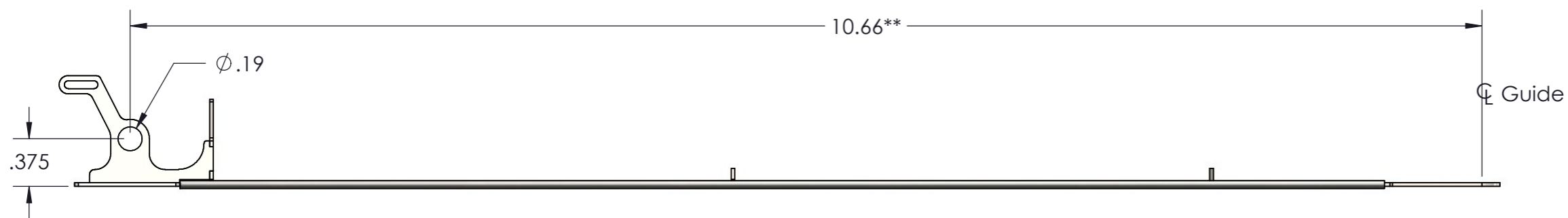
Front position  
for body mount  
tube

Customer Supplied  
1/16" diameter wire  
(ref K&S #504)  
K&S #87131 for stainless

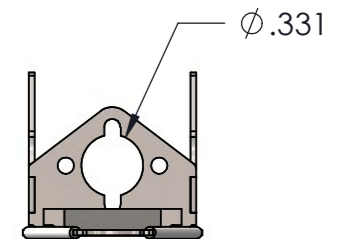


9.50\*\*  
Rail Rod Length

Front Rail Rod  
Assembly Stop



Guide



\*\* These dimensions are for a typical 1/24 scale  
dragster body and adjustments may be necessary  
to fit your particular body.

**KC RACING**

HUDSONVILLE, MI 49426

THIS PRINT IS PROVIDED ON A RESTRICTED BASIS AND IS NOT TO BE USED IN ANY MANNER  
DETRIMENTAL TO THE INTERESTS OF KC RACING

NAME  
Hardtail Dragster Build Dimensions

DRAWN KCL DATE 2/4/23 APPROVED

THIRD ANGLE PROJECTION SIZE NUMBER **B** KCR-3SS DIM SHEET 1 OF 1